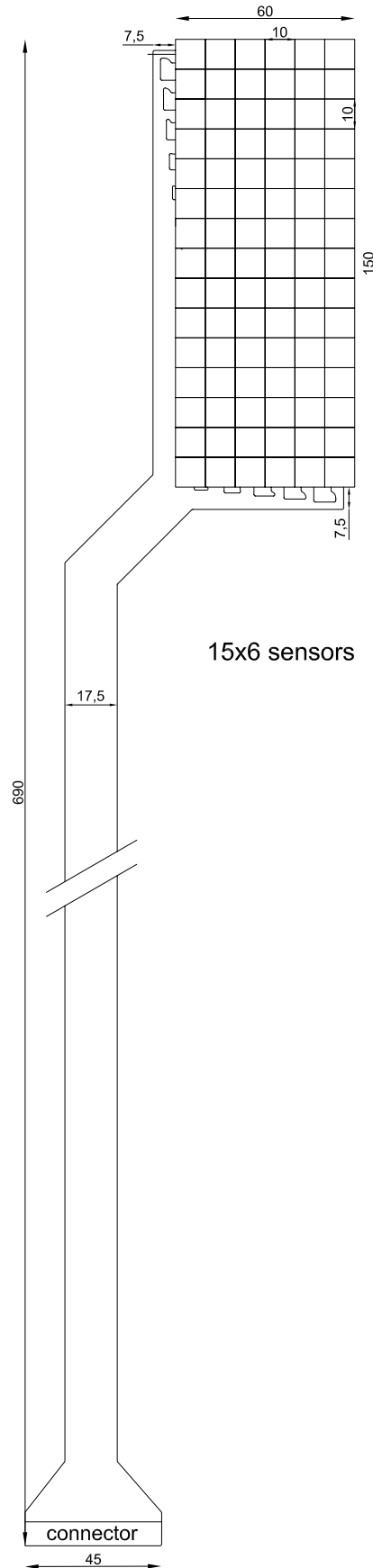


Elastisens ES-90-150/60-10



novel*gmbh*

Ismaningerstr.51
81675 München
Germany

Product ID

Elastisens ES-90-150/60-10

Product No

S2054

Author

AC

All dimensions in mm

Design (date)

15.12.2004

File & Block

c:\Daten\l\Cad\Drawing\www\
elastisen es-90-15060-10.dwg